

# NEW PRODUCT INFORMATION

Bulletin No. 1974

## IP67 Hook Style Digimatic Depth Gage

### FEATURES

- IP67 Waterproof rating.
- Digimatic SPC output.
- Stainless steel construction.
- Integral end hook, won't work loose.
- ABS scale, no need to rezero.
- Three year battery life.
- Inch/metric. • Offset.
- Auto power On/Off.
- Convenient mounting holes in the base.
- Battery life 3 years under normal use.
- Optional wider extension bases are available.

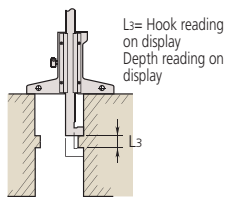
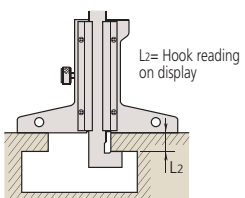
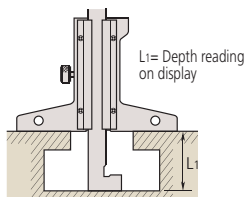
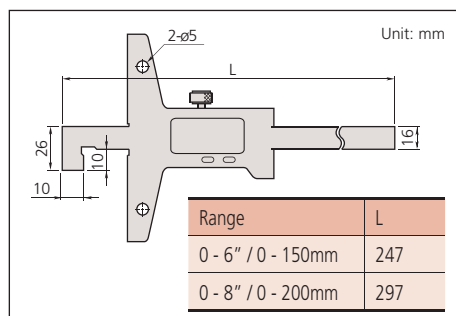
The end of the main scale is hook shaped to allow depth and thickness measurements of a projected portion or lip in a hole or recess, in addition to standard depth measurement.



### SPECIFICATIONS

Order No.	Range Hook	Range Depth	Resolution	Accuracy	Output
571-264-10	6" / 150mm	.4" - 6.4" / 10mm - 160mm	.0005" / 0.01mm	±.0015"	Yes
571-265-10	8" / 200mm	.4" - 8.4" / 10mm - 210mm	.0005" / 0.01mm	±.0015"	Yes

### DIMENSIONS



### Optional Accessories

Cables	Order No.
40" SPC Cable	05CZA624
80" SPC Cable	05CZA625
Extension Bases:	
7" Base	900367
10" Base	900368
12" Base	900369

## ABSOLUTE Digimatic Depth Gage

### FEATURES

- ABSOLUTE Digimatic Depth Gage can keep track of the origin point once set for the entire life of the battery.
- Base and measuring faces are hardened and micro-lapped.
- Optional wider extension base are available. (up to 450mm range models)
- With SPC data output.



571-263-10

### SPECIFICATIONS

Metric				
Range	Order No.	Resolution	Accuracy	Mass(g)
0 - 150mm	571-201-20	0.01mm	±0.02mm	192
0 - 150mm	571-251-10*	0.01mm	±0.02mm	199
0 - 200mm	571-202-20	0.01mm	±0.02mm	212
0 - 200mm	571-252-10*	0.01mm	±0.02mm	219
0 - 300mm	571-203-20	0.01mm	±0.03mm	310
0 - 300mm	571-253-10*	0.01mm	±0.03mm	320
0 - 450mm	571-204-10	0.01mm	±0.05mm	1270
0 - 600mm	571-205-10	0.01mm	±0.05mm	1400
0 - 750mm	571-206-10	0.01mm	±0.06mm	1530
0 - 1000mm	571-207-10	0.01mm	±0.07mm	1760

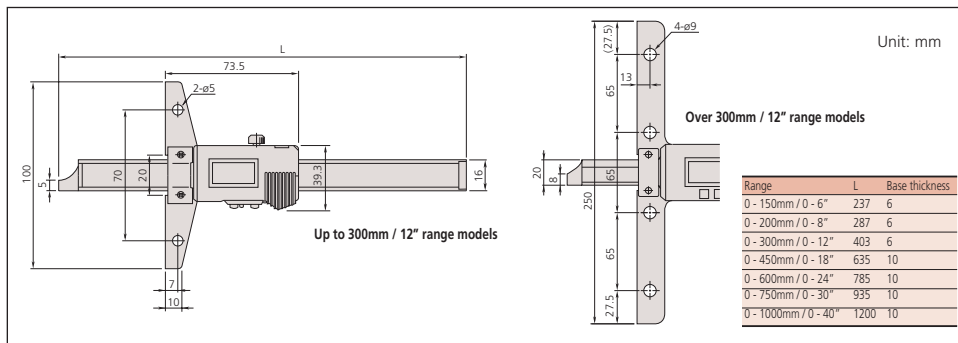
\*IP67 Coolant Proof model

### Inch/Metric

Range	Order No.	Resolution	Accuracy	Mass(g)
0 - 6" / 0 - 150mm	571-211-20	.0005" / 0.01mm	±.001"	192
0 - 6" / 0 - 150mm	571-261-10*	.0005" / 0.01mm	±.001"	199
0 - 8" / 0 - 200mm	571-212-20	.0005" / 0.01mm	±.001"	212
0 - 8" / 0 - 200mm	571-262-10*	.0005" / 0.01mm	±.001"	219
0 - 12" / 0 - 300mm	571-213-10	.0005" / 0.01mm	±.0015"	310
0 - 12" / 0 - 300mm	571-263-10*	.0005" / 0.01mm	±.0015"	320
0 - 18" / 0 - 450mm	571-214-10	.0005" / 0.01mm	±.002"	1270
0 - 24" / 0 - 600mm	571-215-10	.0005" / 0.01mm	±.002"	1400
0 - 30" / 0 - 750mm	571-216-10	.0005" / 0.01mm	±.0025	1530
0 - 40" / 0 - 1000mm	571-217-10	.0005" / 0.01mm	±.0025	1760

\*IP67 Coolant Proof model

### DIMENSIONS



**Note:** All information regarding our products, and in particular the illustrations, drawings, dimensional and performance data contained in this printed matter as well as other technical data are to be regarded as approximate average values. We therefore reserve the right to make changes to the corresponding designs. The stated standards, similar technical regulations, descriptions and illustrations of the products were valid at the time of printing. In addition, the latest applicable version of our General Trading Conditions will apply. Only quotations submitted by ourselves may be regarded as definitive.

Mitutoyo products are subject to US Export Administration Regulations (EAR). Re-export or relocation of Mitutoyo products may require prior approval by an appropriate governing authority.

#### Trademarks and Registrations

Designations used by companies to distinguish their products are often claimed as trademarks. In all instances where Mitutoyo America Corporation is aware of a claim, the product names appear in initial capital or all capital letters. The appropriate companies should be contacted for more complete trademark and registration information.

We reserve the right to change specifications and prices without notice.

- Coordinate Measuring Machines
- Vision Measuring Systems
- Form Measurement
- Optical Measuring
- Sensor Systems
- Testing Equipment and Seismometer
- Digital Scale and DRO Systems
- Small Tool Instruments and Data Management

### Mitutoyo America Corporation

www.mitutoyo.com

One Number to Serve You Better  
1-888-MITUTOYO (1-888-648-8869)

#### M<sup>3</sup> Solution Centers

Aurora, Illinois  
(Corporate Headquarters)

Westford, Massachusetts

Huntersville, North Carolina

Mason, Ohio

Plymouth, Michigan

City of Industry, California



Precision is our Profession